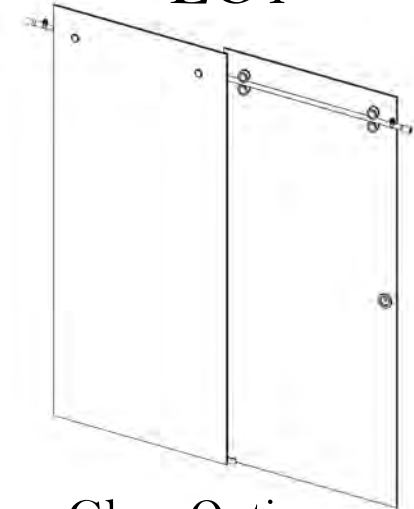


EuroGlide 1

Sliding Bath Shower/Shower Doors

EG1



Features

- 1/4" (6mm) or 3/8" (10mm) thick tempered glass available in clear or crystal clear
- Enduroshield glass treatment helps maintain glass appearance over time
- Innovative design simplifies installation and provides out-of-plumb adjust ability
- Hardware options: Stainless Steel
- Smooth, easy-to-clean lineals
- Fast, easy installation

Codes/Standards Applicable

Specified model meets or exceeds the following:
ANSI Z97.1 (tempered glass)
16 CFR Part 1201

Hardware Options

RP: Recessed Pull (Standard)
LP: Ladder Pull
TB: Towel Bar
BS: Brushed Stainless Steel
PS: Polished Stainless Steel

Glass Options

CL: Clear
CC: Crystal Clear



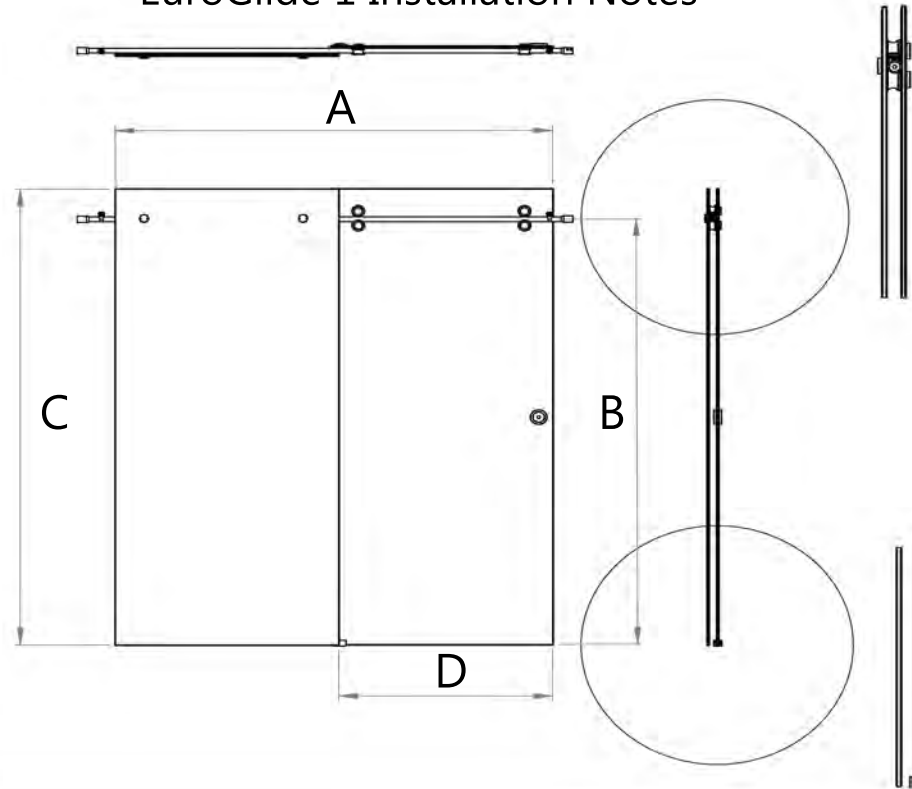
Specified Model

Model	Size	Glass Thickness	Glass Options		Frame Finishes/Colors		Hardware Options		
EG1 66-14	60 x 66	1/4"	CL	CC	BS	PS	RP	LP	TB
EG1 78-14	60 x 78	1/4"	CL	CC	BS	PS	RP	LP	TB
EG1 66-38	60 x 66	3/8"	CL	CC	BS	PS	RP	LP	TB
EG1 78-38	60 x 78	3/8"	CL	CC	BS	PS	RP	LP	TB

Product Specification

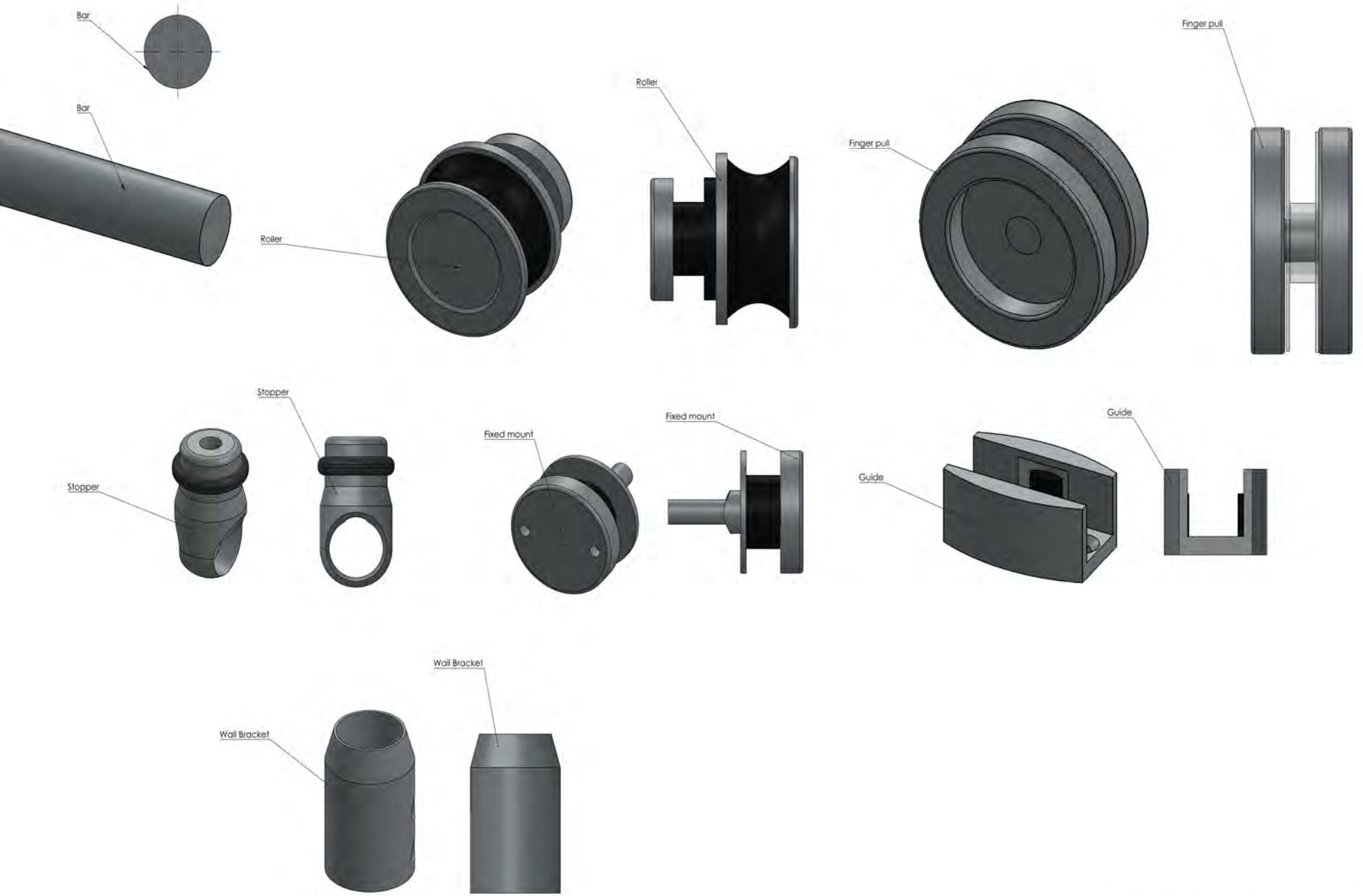
Sliding bath or shower door 1/4" (6mm) or 3/8" (10mm) thick tempered glass available in Clear or Crystal Clear. Product shall feature Enduroshield glass treatment that helps maintain glass appearance over time. Door shall have innovative roller design to simplify installation and provide out-of-plumb adjustability. Door shall have Stainless Steel hardware to prevent rusting or corrosion and smooth, easy to clean lineals. Door shall be Eurotech Model: _____

EuroGlide 1 Installation Notes



Roughing-In Notes

Model	A - Width	B - Top of Track	C - Glass Height	D - Walk Through
EG166-14	55"-60"	62"	66"	24"-29"
EG178-14	55"-60"	74"	78"	24"-29"
EG166-38	55"-60"	62"	66"	24"-29"
EG178-38	55"-60"	74"	78"	24"-29"



EuroGlide 1 Parts